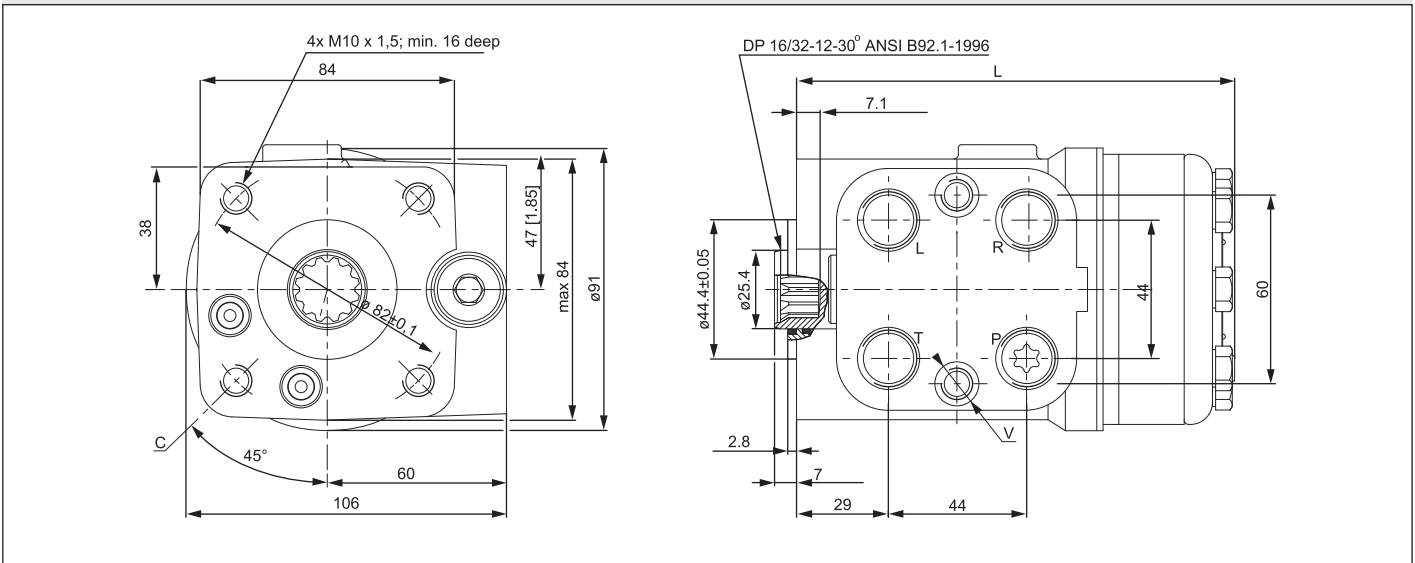


Unit Dimensions OSPT-N1/R1



Technical data OSPT-N1/R1

TYPE	Displacement (ml/r)	Rated Flow (l/min)	Max.input Pressure (bar)	Max.Cont.Back Pressure (bar)	Normal Input Torque (N.m)	Length (mm)	Weight (kg)
OSPT-N1/R1 -50	50	5	175	25	<2.5	131	5.4
OSPT-N1/R1 -63	63	6	175	25	<2.5	133	5.5
OSPT-N1/R1 -80	80	8	175	25	<2.5	135	5.6
OSPT-N1/R1-100	100	10	175	25	<2.5	138	5.7
OSPT-N1/R1-125	125	13	175	25	<2.5	141	5.9
OSPT-N1/R1-160	160	16	175	25	<2.5	146	6.0
OSPT-N1/R1-200	200	20	175	25	<3	151	6.2
OSPT-N1/R1-250	250	25	175	25	<3	157	6.5
OSPT-N1/R1-280	280	28	175	25	<3	162	6.6
OSPT-N1/R1-315	315	32	175	25	<3	167	6.9
OSPT-N1/R1-400	400	40	175	25	<3	177	7.2

Thread / Port details

CODE	Port P,T,R,L Thread	Column Mounting Thread C	Valve Mounting Thread V
T1	M20 x 1.5 deep 14mm	4-M10 deep 17mm	2-M12 deep 16mm
T2	M22 x 1.5 deep 14mm	4-M10 deep 17mm	2-M12 deep 16mm
T3	M18 x 1.5 deep 14mm	4-M10 deep 17mm	2-M12 deep 16mm
T4	G1/2 deep 14mm	4-M10 deep 17mm	2-M12 deep 16mm
T5	3/4-16 UNF O-ring deep 14mm	4-3/8-16 UNC deep 16mm	2-3/8-24 UNF deep 16mm
T6	M20 x 1.5 O-ring deep 14mm	4-M10 deep 17mm	2-M12 deep 16mm
T7	M18 x 1.5 O-ring deep 14mm	4-M10 deep 17mm	2-M12 deep 16mm

Port type	Standard
T1, T2, T3, T6, T7	JB/T7912-1999 (ISO262)
T4	GB/T707-1987 (ISO228/1)
T5	ANSI B1.1-1982

