

BEIJING HUADE HYDRULIC INDUSTRIAL GROUP CO.,LTD.	<b>Multi-Circuit Gauge Isolator Type MS, Series 20</b>		RE30075/12.2004
	Model 2	up to 31.5 MPa	Replaces: RE30075/05.2001

**Features:**

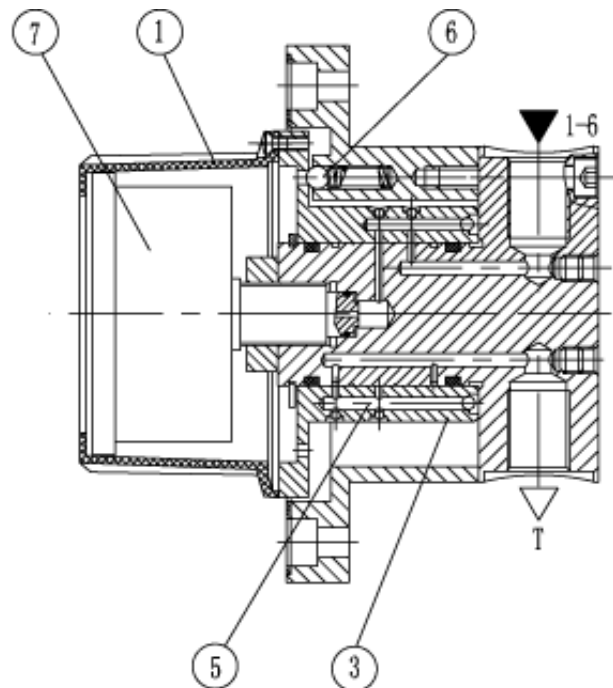
- Valve housing with threaded connections
- Flange mounting
- with built-in pressure gauge



**Functional, section**

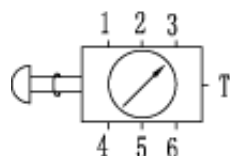
Multi-circuit gauge isolators type MS 2 with built-in pressure gauge (6 measuring points)

With this valve, the rotary knob (1) has a glycerin damped pressure gauge (7) fitted. By turning the rotary knob (1) and the sleeve (3) which is connected to it, until the indicator on the rotary knob (1) points to one of the 6 measuring points, 1 measuring point is connected to the pressure gauge (7). In order to unload the pressure gauge (7) there are zero points between each measuring point. In this way the pressure gauge (7) is connected to the tank (connection T) via the drilling (5) in sleeve (3) and is thereby unloaded. A built-in detent (6) holds each selected position. Which measuring point is connected to the pressure gauge, is indicated by the arrow which is situated on the rim of the rotary knob.



Type MS 2 A20B/...

**Symbols**



## Ordering code

MS		A	20	B	/			*
----	--	---	----	---	---	--	--	---

With built-in pressure gauge = 2  
(6 measuring connections)

Threaded connections = A

Series 20 to 29 = 20  
(20 to 29: unchanged installation and connection dimensions)

Technology of Beijing Huade Hydraulic =B

Further details in clear text

No code = Threaded connections G 1/4"  
2 = Threaded connections M14 × 1.5

No code = Mineral oil  
V = Phosphate ester

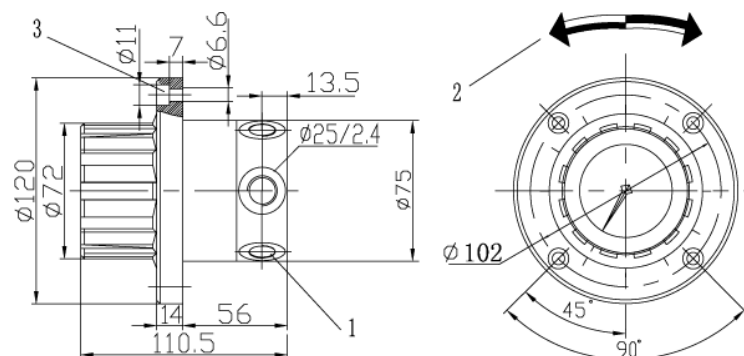
16 = max. usable indication range 1.6MPa  
25 = max. usable indication range 2.5 MPa  
60 = max. usable indication range 6.0MPa  
100 = max. usable indication range 10MPa  
160 = max. usable indication range 16MPa  
250 = max. usable indication range 25MPa  
400 = max. usable indication range 40MPa

## Technical data (for applications outside these parameters, please consult us!)

Operating pressure, max. (MPa)	31.5	The maximum permissible working pressure is dependent on the scale value of the built-in pressure gauge. The area between the maximum permissible value (pressure gauge) and the scale value is marked in red.
Back pressure on the tank connection, max. (MPa)	1	
Indication accuracy of the built-in pressure gauge (types MS 2)		The indication accuracy of the built-in pressure gauge is 1.6% of the red scale value at 20°C. The indication error for each 10°C increase in temp. is + 0.3 %, and , 0.3% per 10°C reduction in temp. of the red scale value.
Hydraulic fluid		Mineral oil(for NBR seal) or Phosphate ester (for FPM seal)
Viscosity (mm <sup>2</sup> /s)	10 to 800	
Fluid temperature range (°C)	-30 to +80	
Weight (kg)	1.7	

## Unit dimensions: Type MS 2

(Dimensions in mm)



Type MS 2

- 1 6 measuring connections and 1 tank port are equally spaced around the circumference
- 2 Readings are obtained by turning the rotary knob to the left or right. Zero points are arranged between the indicating points
- 3 4 fixing screw holes

## Notice

1. The fluid must be filtered. Minimum filter fineness is 20  $\mu\text{m}$ .
2. The tank must be sealed up and an air breather/filter must be installed on air suction/entrance.
3. Subplate are not supplied, if required, please ordering separately.
4. Valve fixing bolts/screws must be high tensile (class 10.9). Please select and consult manufacturer according to the parameter listed in the datasheet.
5. Roughness of surface mating with the valve is required to  $\sqrt{0.8}$  .
6. Surface straightness of mating piece is required to 0.01/100mm.

All rights reserved-Subject to revision

### **THM Huade Hydraulics (P) Ltd**

F-127, Focal Point, Phase VIII

Ludhiana-141010, India

Phone: 0091+161+2672777, Fax: 0091+161+2672778

[www.thmhuade.com](http://www.thmhuade.com)

[info@thmhuade.com](mailto:info@thmhuade.com), [sales@thmhuade.com](mailto:sales@thmhuade.com)