



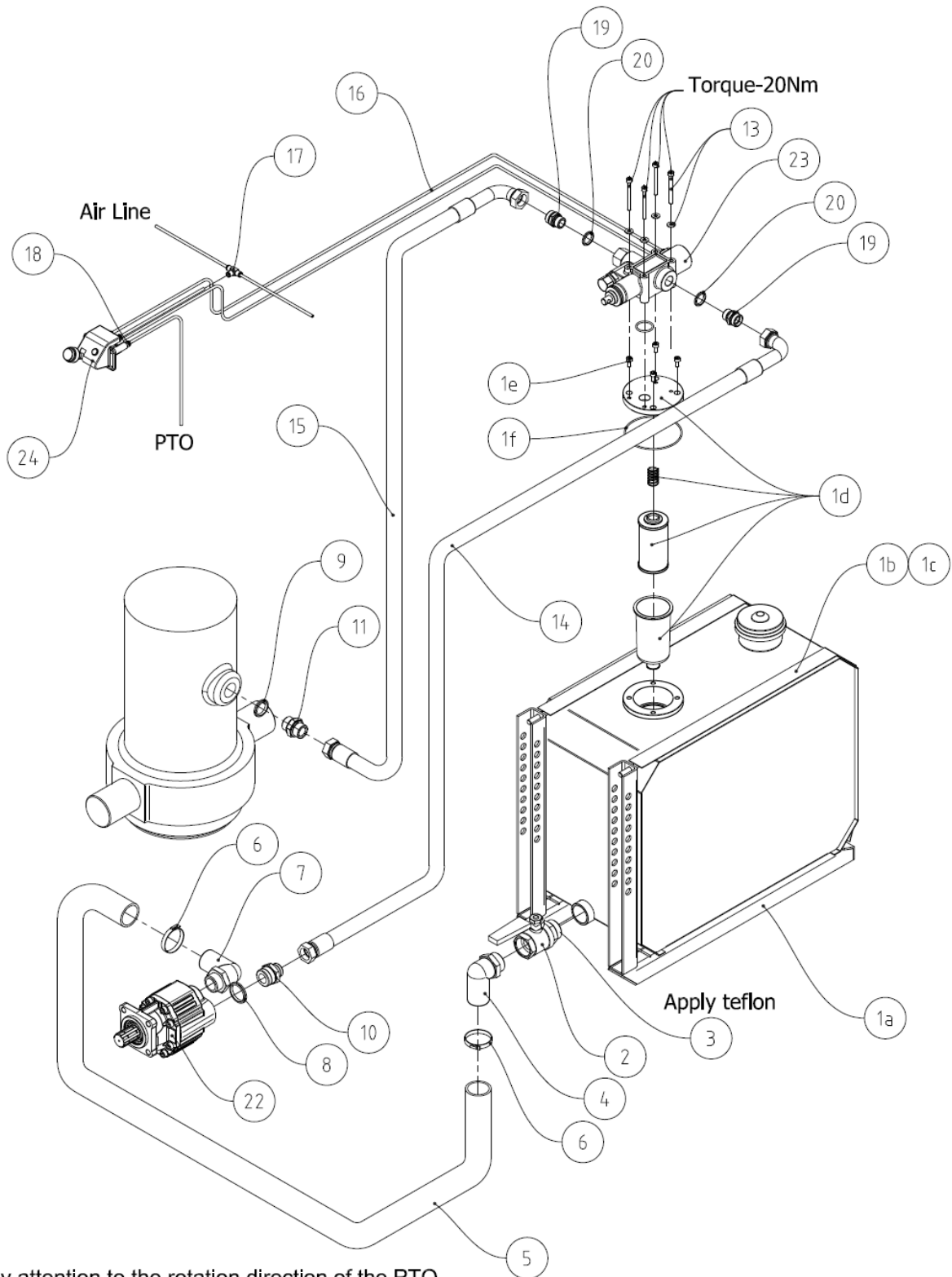
THM
HYDRAULICS

FABER
Manufacturing Hydraulic Excellence since 1972

**TECHNICAL DATA SHEETS
&
RECOMMENDATIONS**

.....
**WET KITS
TECHNICAL
DATA
SHEETS**
.....

www.thmhuade.com



Pay attention to the rotation direction of the PTO.
It might be necessary to change the position of the hoses in the pump

ABER is constantly engaged in improving its products and, therefore, reserves itself the right to modify without any further notice the characteristics shown

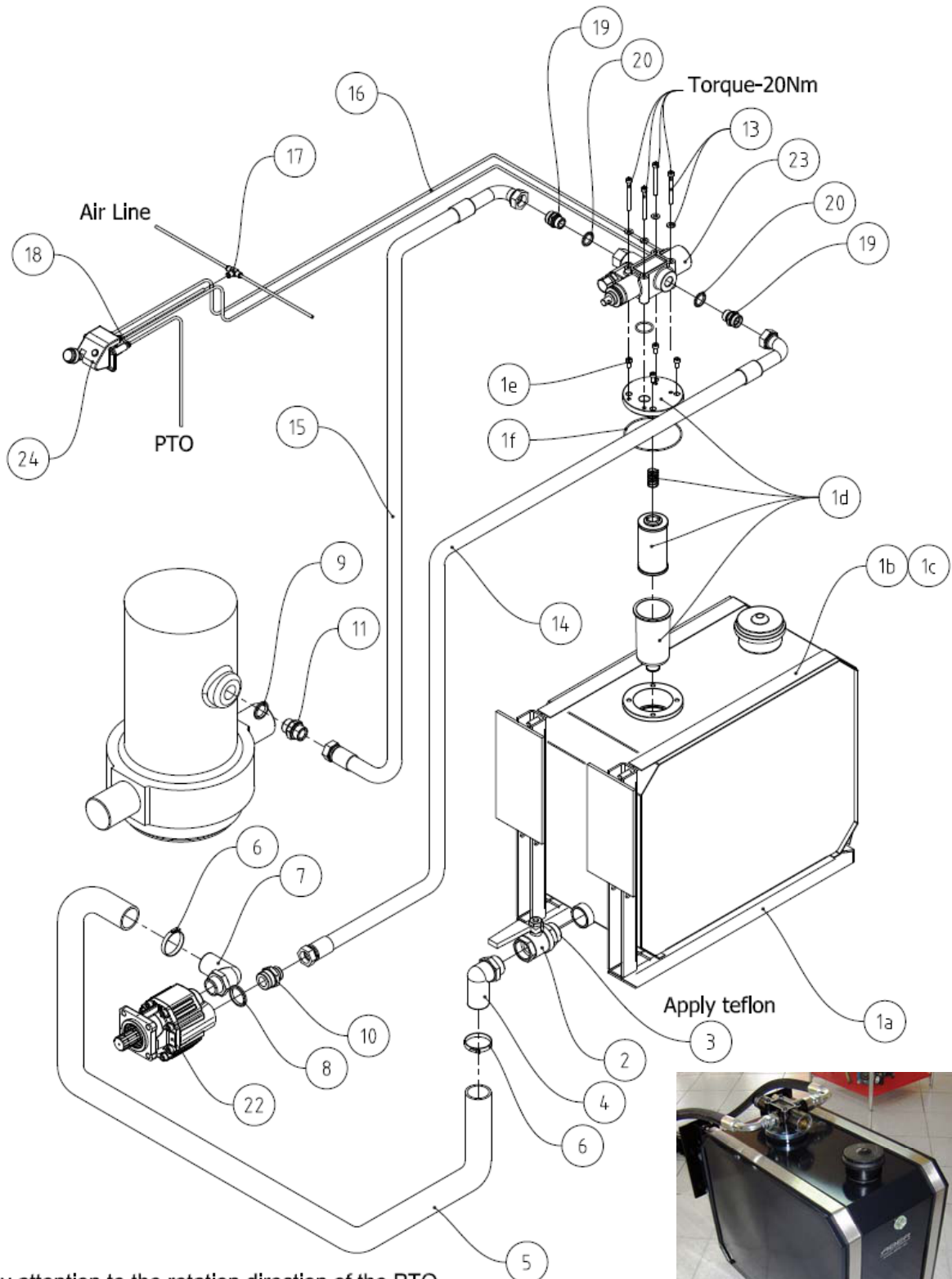


BACK WET KIT

Nr.º	Designation	Our Reference	Qty
1	Back oil tank 120 lts with filter and filling peg Included: 1a - Back oil tank support 1b - Return filter 1c - Filter fixation screw M8x16 1d - O-ring 95x3 1e - Level	DP04120	1
2	Gate valve 1"1/2 BSPOT x 1"1/2 BSPIT		1
3	Teflon		
4	Oil inlet with thread 90° 1"1/2 BSPOT x 2"	A90112200	1
5	Admission Hose 2" - L=3000mm		
6	Cramp for Hose ø50		2
7	Oil inlet with thread 90° 1"1/4 BSPOT x 2"	A90114200	1
8	Joint metal-nitril 1"1/4 BSP		1
9	Joint metal-nitril 1" BSP		1
10	Adapter 1"1/4 BSPOT x 1" BSPOT		1
11	Adapter 1" BSPOT x 1" BSPOT		1
12	Adjustable adapter 1" BSPIT x 1" BSPOT		1
13	Tipping valve fixation screws with washer M8x80		4
14	Hose R2 L=2500mm with Female 1" BSP right and 90°		1
15	Hose R2 L=4500mm with Female 1" BSP right and 90°		1
16	Nylon hose 6 x 4	AOHTNY6C4	20Mts
17	Pneumatic T rapid 6mm		1
18	Quick air fitting 1/8" x 6mm	R618DCR	6
19	Adapter 3/4" BSPOT x 1" BSPOT		2
20	Joint metal-nitril 3/4" BSP		2
21	O-ring 35x3,5		1
22	External Gear Pump 80 lts - bidirectional	B34T82	1
23	Tipping valve up to 130lts – 160 bar max.	DTCA130	1
24	3 way distributor valve + warning Light + pressure gauge	ABCD83	1

Notes:

- Adjustable adapter 1" BSPIT x 1" BSPOT (12) it is an option, just to be used if necessary;
- Tipping valve (23) is adjusted to 160 bar. ABER will not be held responsible for the pressures changes or any change made by anybody outside ABER's company;
- Fit screws (13) with 20Nm;
- The pump (22) is bidirectional. To change rotation direction it is only needed to change the hoses. The technical catalogue should be consulted;
- Pay attention to the rotation direction of the PTO. It might be necessary to change the position of the hoses in the pump;
- The filters have to be replaced every 6 months; otherwise the kit loses its warranty.



Pay attention to the rotation direction of the PTO.
It might be necessary to change the position of the hoses in the pump



SIDE WET KIT

Nr.º	Designation	Our Reference	Qty
1	Side oil tank 150 lts with filter and filling peg Included: 1a - Side oil tank support 1b - Rubber cramp 1c - Metal cramp 1d - Return filter 1e - Filter fixation screw M8x16 1f - O-ring 95x3 1g - Level	DPL01160	1
2	Gate valve 1"1/2 BSPOT x 1"1/2 BSPIT		1
3	Teflon		
4	Oil inlet with thread 90° 1"1/2 BSPOT x 2"	A90112200	1
5	Admission Hose 2" - L=3000mm		
6	Cramp for Hose ø50		2
7	Oil inlet with thread 90° 1"1/4 BSPOT x 2"	A90114200	1
8	Joint metal-nitril 1"1/4 BSP		1
9	Joint metal-nitril 1" BSP		1
10	Adapter 1"1/4 BSPOT x 1" BSPOT		1
11	Adapter 1" BSPOT x 1" BSPOT		1
12	Adjustable adapter 1" BSPIT x 1" BSPOT		1
13	Tipping valve fixation screws with washer M8x80		4
14	Hose R2 L=2500mm with Female 1" BSP right and 90°		1
15	Hose R2 L=4500mm with Female 1" BSP right and 90°		1
16	Nylon hose 6 x 4	AOHTNY6C4	20Mts
17	Pneumatic T rapid 6mm		1
18	Quick air fitting 1/8" x 6mm	R618DCR	3
19	Adapter 3/4" BSPOT x 1" BSPOT		2
20	Joint metal-nitril 3/4" BSP		2
21	O-ring 35x3,5		1
22	External Gear Pump 80 lts - bidirectional	B34T82	1
23	Tipping valve up to 130lts – 160 bar max.	DTCA130	1
24	3 way distributor valve + warning Light + pressure gauge	ABCD83	1

Notes:

- Adjustable adapter 1" BSPIT x 1" BSPOT (12) it is an option, just to be used if necessary;
- Tipping valve (23) is adjusted to 160 bar. ABER will not be held responsible for the pressures changes or any change made by anybody outside ABER's company;
- Fit screws (13) with 20Nm;
- The pump (22) is bidirectional. To change rotation direction it is only needed to change the hoses. The technical catalogue should be consulted;
- Pay attention to the rotation direction of the PTO. It might be necessary to change the position of the hoses in the pump;
- The filters have to be replaced every 6 months; otherwise the kit loses its warranty.

