

TPZ1500

Compact Strong
Pressure Transmitter
Measuring Range 0...2000 bar
2 Wire 4...20mA output



Index

Page No

• Feature	02
• Applications	02
• Specifications	02
• Technical data	03
• Wiring	03
• Unit Dimensions	03
• Ordering Code	04



Features

- All stainless steel structure compact diameter 22mm
- Measuring range from 0...2000bar
- High shock resistance
- 2-wire 4...20mA output
- High accuracy up to 0.5%FS
- Operating temperature range -40-125°C

TPZ1500 series adopts sputtering film technology, specially designed for hydraulic machinery and construction machinery. Full metal casing, hydraulic shock resistance, and wide temperature range enable the series to be used in a variety of harsh work scenarios. A variety of output types and connections are available to meet specific installation needs.

Applications

- Hydraulics and pneumatics
- Engineering machinery
- Machinery manufacturing
- Pumps and compressors
- Test equipment
- Construction automation

Specifications

Power Supply	
Current output	10...30Vdc
Current Consumption	
2-wire	Same as current output(4...20mA)
Current Analog Output	
Output	2-wire 4...20mA
LoadRA(Ω)	RA(Us-10)V/0.02A
Linearity	$\leq \pm 0.25\%$ of F.S.
Voltage Analog Output	
Output	2-wire 0...5V
LoadRA(Ω)	RA \geq 5K
Linearity	$\leq \pm 0.25\%$ of F.S.
Accuracy	$\leq \pm 0.5\%$ of F.S.
Stability(Drift/Year)	$\leq \pm 0.2\%$ of F.S
Temperature	
Medium	-40...+125°C
Ambient	-20...+85°C
Material	
Housing	304 stainless steel
Wetted Parts	304 stainless steel
Protection Class	IP67(M12 \times 1plug)
Wiring method	M12 \times 1plug
Process connection	G1/4 ED seal with male thread\M20 \times 1.5 male thread



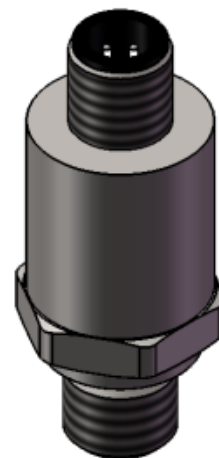
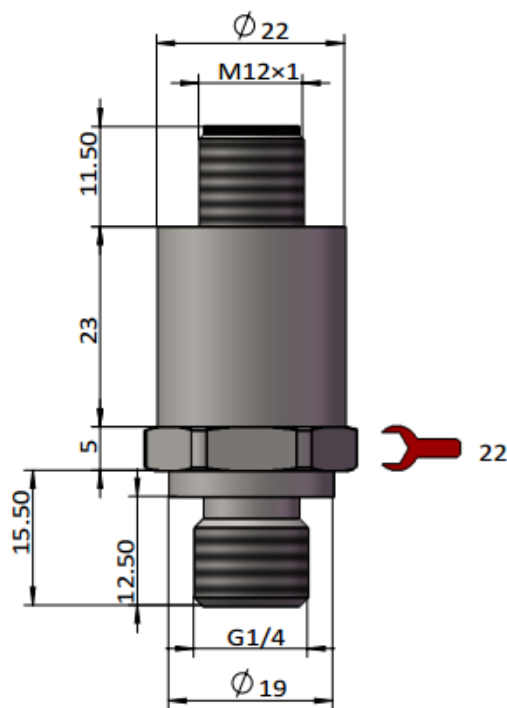
Technical data

Pressure Range	bar	25	40	60	100	160	250	400	600	700	800	1000
Overload Pressure		Pressure Range × 2.0 (Optional pressure range × 4.0)							Pressure Range × 2.0			
Burst Pressure		Pressure Range × 5.0 (Optional pressure range × 6.0)					Pressure Range × 3.0			< 1500bar		

Wiring

Wiring	2-wire	3-wire												
<p>M12 plug</p> <table border="1"> <thead> <tr> <th>Signal</th> <th>Plug</th> <th>Cable</th> </tr> </thead> <tbody> <tr> <td>U+</td> <td>1</td> <td>Brown</td> </tr> <tr> <td>*output</td> <td>*2</td> <td>*White</td> </tr> <tr> <td>U-</td> <td>3</td> <td>Blue</td> </tr> </tbody> </table> <p>* Only for 3-wire</p>	Signal	Plug	Cable	U+	1	Brown	*output	*2	*White	U-	3	Blue		
Signal	Plug	Cable												
U+	1	Brown												
*output	*2	*White												
U-	3	Blue												

Unit Dimensions





Ordering Code

Pressure Transmitter	= TPZ								
Serial Number-Small Sputtered Thin Film Sensor	= 1500								
Measuring range (Bar/psi unit optional) B025=0...25bar; P0362=0...362psi B040= 0...40bar; P0600= 0...600psi B060=0...60bar; P0900=0...900psi B100= 0...100bar; P1500= 0...1500psi B160= 0...160bar; P2300= 0...2300psi B250= 0...250bar; P3600= 0...3600psi B400= 0...400bar; P6000= 0...6000psi B600= 0...600bar; P1500= 0...8700psi B700= 0...700bar; P2300= 0...10150psi B800= 0...800bar; P3600= 0...11600psi B1000= 0...1000bar; P6000= 0...14500psi									
Positive pressure	= P								
2-wire type	= 02								
3-wire type (voltage output type only)	= 03								
Output mode									
4...20mA	= 42								
0...10V	= 010								
0...5V	= 05								
1...5V	= 15								
Process Connection									
G1/4 Male thread	= G14M								
NPT1/4 Male thread	= N14M								
M12x1 plug								= S	
Reserved bit									

