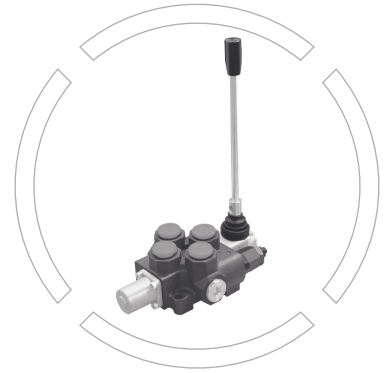


## HM10 Series

Monoblock Directional Control valve  
Nominal Pressure: 20 Mpa  
Maximum Pressure: 25 Mpa  
Maximum Flow rate: 120 L/min



### Index

### Page No

• Specifications	02
• Features	02
• Ordering Code	02
• Technical parameters	02
• Unit Dimensional Data	03



## Specifications

The HM10 series integral valve incorporates advanced European technology, boasting a compact structure, high flow rates up to 120 l/min, and lightweight construction. This valve utilizes a parallel oil circuit and features a pressure output port for connecting to other hydraulic components to provide power. This valve is widely used in the hydraulic systems of construction machinery, sanitation equipment, mining machinery, and other equipment.

## Features

- Simple, compact designed, this valves is only one section for open centre and closed centre hydraulic systems.
- Fitted with a main pressure relief valve.
- Diameter 20 mm -- 0.79 in interchangeable spools.
- Available manual, pneumatic, electro--hydraulic and remote with flexible cable spool control kits.

## Ordering Code

HM10	20	O	T	***
------	----	---	---	-----

Monoblock Directional Control Valve

Nominal Pressure (Mpa)  
16, 20, 25, 31.5

Spool Function:

Cylinder Spool

Single acting spool on A port

Motor Spool

= O

= A

= Y

Control Way:

Spring Return

Detent Control

Pneumatic Control

Rotary Handle Lever

= T

= W

= Q

= X

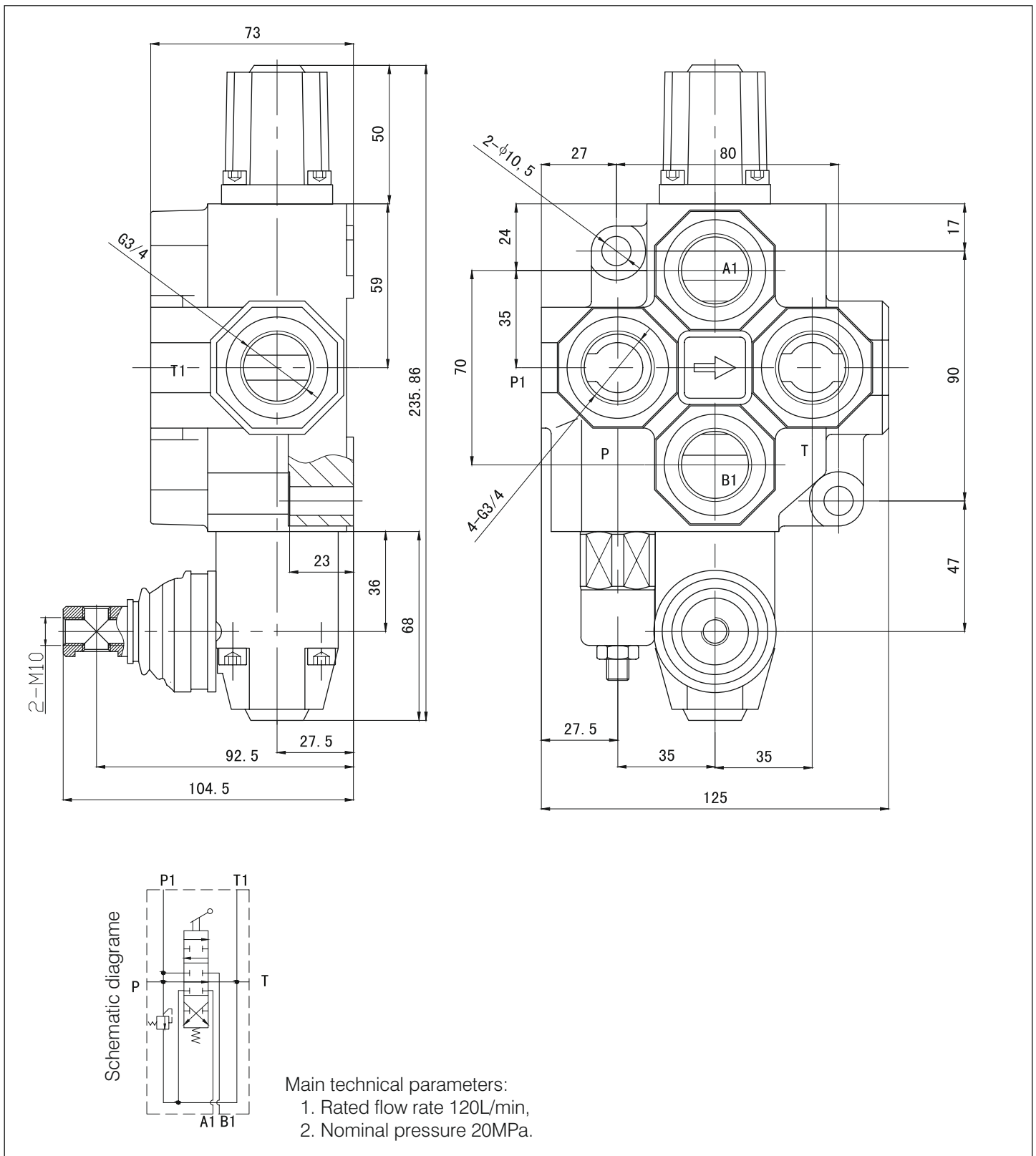
## Technical Parameters

Nominal Pressure (MPa)	Maximum Pressure (MPa)	Nominal Flow (L/min)	Maximum Flow (L/min)	Back Pressure (MPa)	Hydraulic Oil		
					Temperature range(°C)	Viscosity range(mm <sup>2</sup> /s)	Filterating accuracy (μm)
20	25	120	120	≤1	-20~+80	10~400	≤10



Unit Dimensional Data

(Dimensions in mm)



Note: Special features not listed can often be made to your specifications. Please consult your sales representative.

